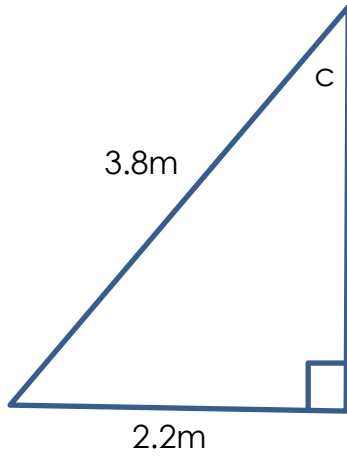


Name: \_\_\_\_\_

**YEAR 11 MINI-ASSESSMENT 8**

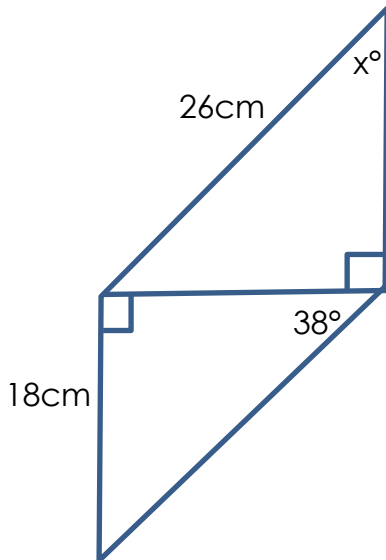
**HIGHER – PYTHAGORAS AND TRIGONOMETRY**

1. Find the size of angle  $c$  in the diagram...



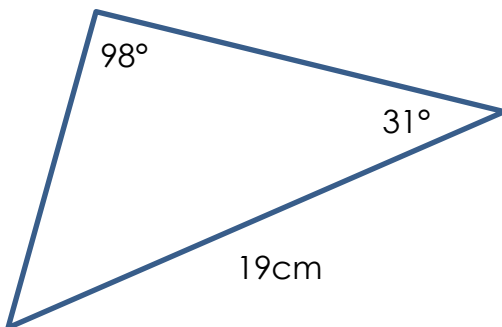
[4 marks]

2. Find the size of angle  $x$ ...



[5 marks]

3. Find the area of this triangle...



[5 marks]